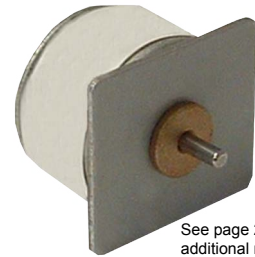


FEATURES

- Permanent Magnet Stepper Motor
- 15mm Diameter
- 18 Degree Step Angle
- Up to 0.56 oz-in of Bipolar Holding Torque
- Customization Available for:
  - Winding Current to Optimize Torque
  - Shaft Options
  - Cables or Connectors
- RoHS Compliant and CE Certified



See page 2 for additional model types

DESCRIPTION

These miniature Permanent Magnet DC Stepper Motors measure 15mm in diameter and provide up to 0.56 ounce-inches of bipolar holding torque. These motors come standard in 18° step angles with a four wire connection and PIN option, and are offered in 9V or 12V voltage ratings. Customization is available for larger quantities.

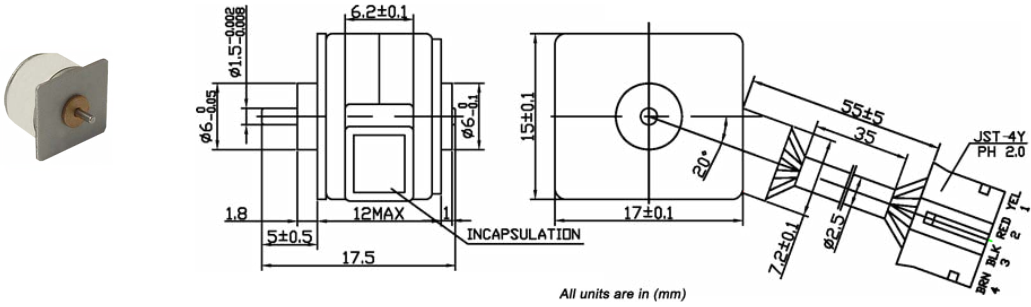
SPECIFICATIONS

Item	# of Wires	# of Phases	Bipolar Holding Torque (oz-in)	Detent Torque (oz-in)	Bipolar Series RMS Voltage (V)	Current Per Phase (A)	Resistance Per Phase (ohms)	Rotor Inertia (oz-in-sec <sup>2</sup> )	Weight (lbs)	Length (mm)
TSM15-180-12-12V-004A-LW4	4	2	0.56	0.14	12	0.04	300	0.000014	0.02	11.5
TSM15-180-12-12V-007A-PINS	4 Pins	2	0.56	0.14	12	0.07	190	0.000014	0.02	11.5
TSM15-180-12-5V-050A-PINS	4 Pins	2	0.37	0.08	5	0.5	10	0.000014	0.02	11.5

Step Angle Accuracy	±8% (Full Step, No Load)	Insulation Resistance	100ΩMin. 500 VDC
Resistance Accuracy	±10%	Dielectric Strength	500VAC for One Minute
Inductance Accuracy	±20%	Shaft Radial Play	0.06Max (450 g-load)
Temperature Rise	80°C Max	Shaft Axial Play	+/- 0.5mm (450 g-load)
Ambient Temperature	-20°C to +50°C		

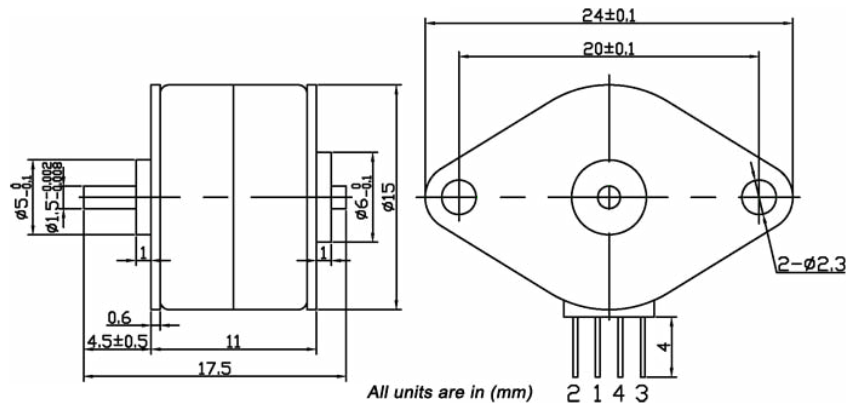
L010237

### TSM15-180-12-12V-004A-LW4



### TSM15-180-12-12V-007A-PINS

No Photo Available



### TSM15-180-12-5V-050A-PINS

